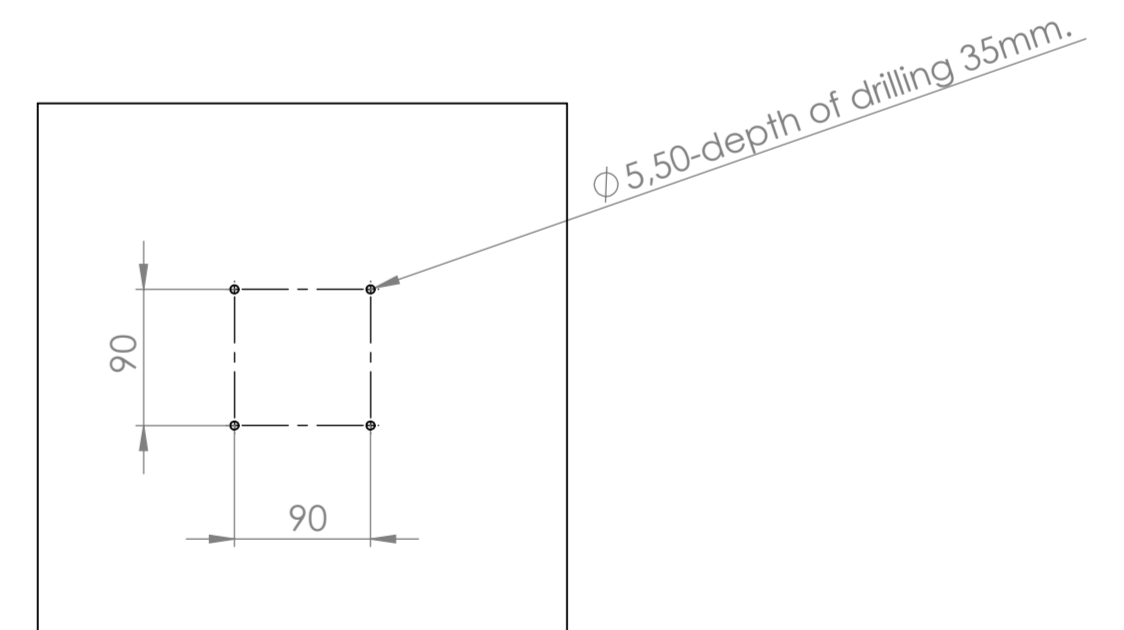
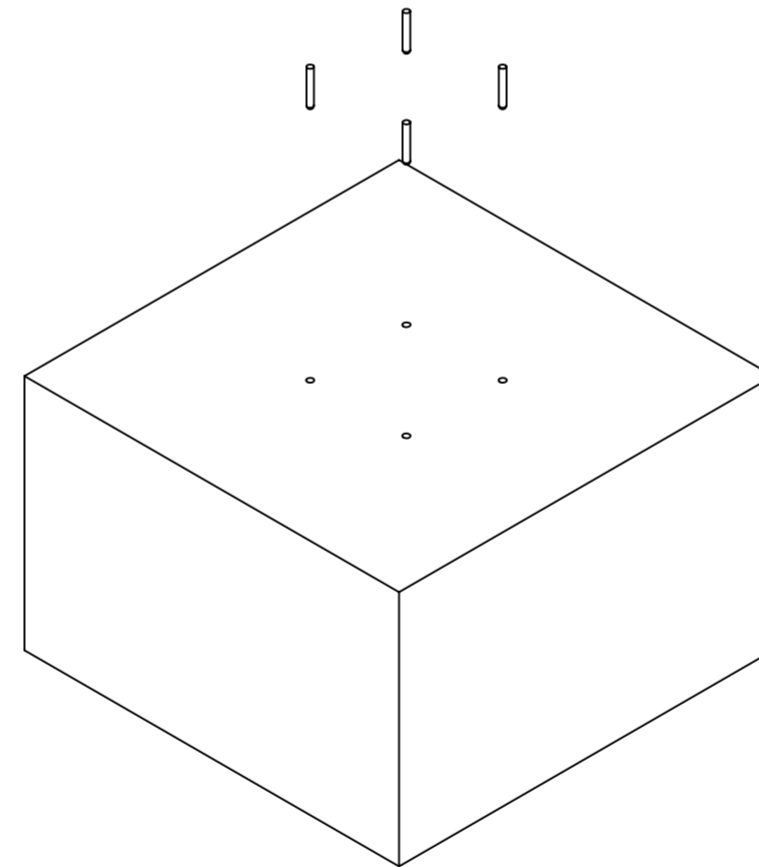
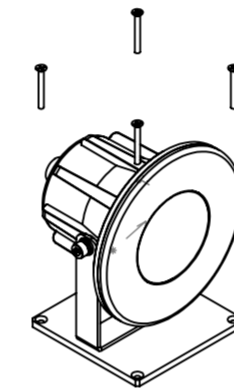
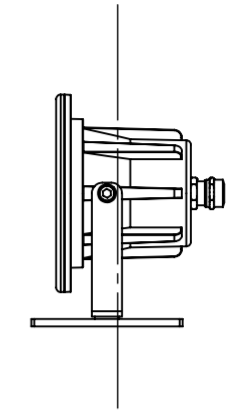
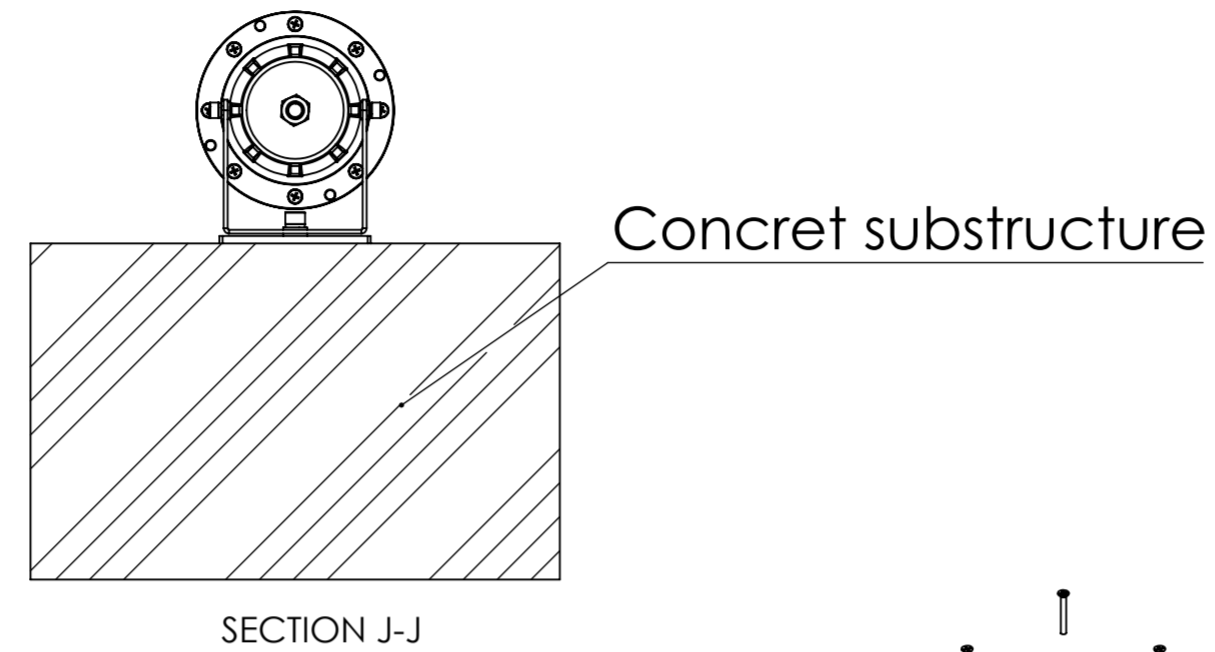


# Projector-Installing on concret substructure by plate.



## Mounting steps:

1. To drill holes with diameter 5,5mm in concret substructure.
2. To fit wall plugs into holes (4pcs.)
3. To fit projector (mounting holes inside plate need to be on the same line with holes drilled in concret substructure.
4. To tighten screws St.3.5x32\_DIN7982 A2-4 pcs.