



INTRODUCTION SAVE ENERGY WITH NIVISS

The nGround series was designed for the most demanding customers who seek non-standard solutions.

- Based on CREE® LEDs
- 230V AC
- Made of 316L steel with aluminium
- Power: 17W
- IP67
- 5-year warranty

APPLICATIONS The Niviss nGround Medium fixture can be used for lighting many places and objects such as:

- parks
- gardens
- squares
- premises
- plants
- exterior walls

SPECIFICATION

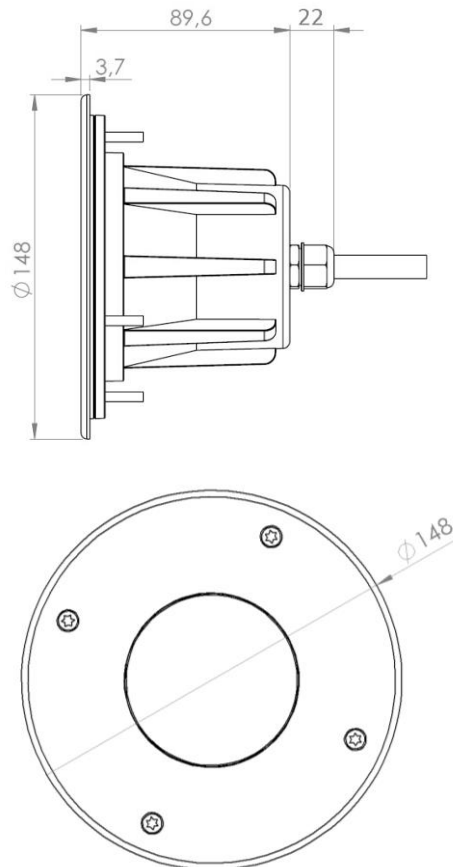
LIGHT COLOUR	CONFORT WHITE	WARM WHITE	NEUTRAL WHITE	COOL WHITE
Colour Temperature*	2700 ± 150 K	3000 ± 150 K	4000 ± 250 K	5000 ± 250 K
Effective Lumen Output**	1250 lm	1250 lm	1450 lm	1450 lm
CRI	≥ 80			
Viewing Angle [FWHM]	25°, 50°			
Input Voltage	230V AC 50Hz			
Power Consumption	17 W			
Operating Temperature.	-20°C + +55°C			
Dimensions	Ø148mm			
Cable Type	H07RN-F 3G1			
Cable Length	0.5m			
IP Rating	IP67			
Lifetime***	≥ 60 000 h			

* Other CCTs and colours available on request.

** Source performance in real-life conditions at Ta=25°C; includes optical losses; the tolerance of source lumen output is 5%.

*** Approximate lifetime of LEDs declared by Cree® at Ta=25°C (for 90% of initial light output) and other electronic components

DIMENSIONS [mm]

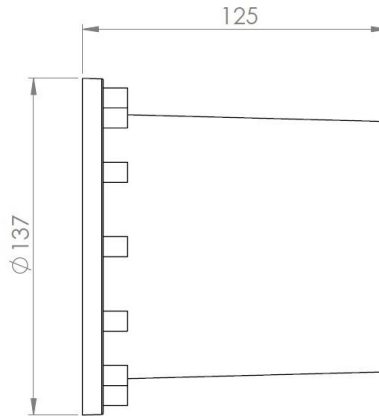


Contact: +48 58 781 33 99 sales@niviss.com www.niviss.com
 NIVISS reserves the right to make technical changes without prior notice.

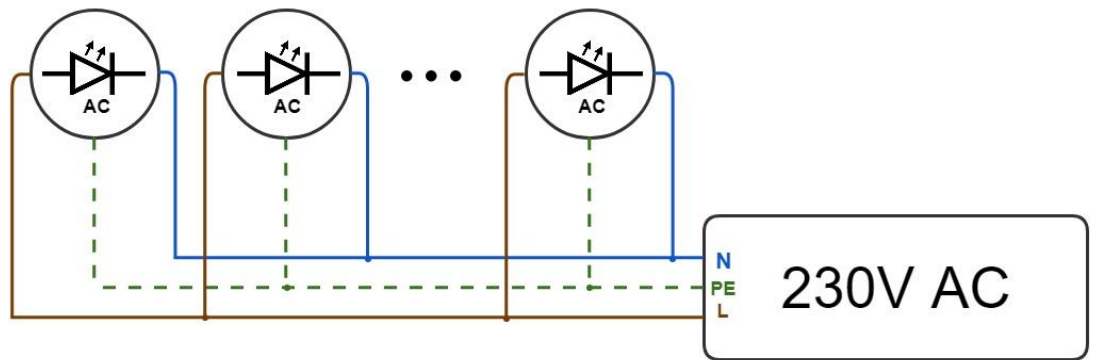
CREE 
 LED Solution Provider

ACCESSORIES

GROUND-MEDIUM-ABS



ELECTRICAL INSTALLATION



Connecting to the power supply should be done when the power supply is off.

ORDER CODE FORMAT

	<u>POWER</u>	<u>25 - 25 degrees 50 - 50 degrees FWHM ANGLE</u>	<u>SA - Steel front and aluminium body MATERIAL OF THE FRONT / BODY</u>
nGROUND MEDIUM	- 17 - VW	- 25 - RD	- SA - HV
FAMILY	CCT VW - 2700K VW - 3000K NW - 4000K CW - 5000K	FRONT PLATE RD - Round	SUPPLY VOLTAGE HV - 230V AC, 50Hz

ENVIRONMENTAL CAUTION



Caution!

It is prohibited to dispose of obsolete and waste electrical and electronic equipment together with regular household wastes. They should be properly sorted and recycled. Old electrical and electronic equipment should be returned to a waste collection point established by a waste-management service. Waste electrical and electronic equipment can be broken down to base materials and then recycled. For more information regarding waste management please contact your local authorities, waste-management service or the seller of electrical and electronic devices.