



INTRODUCTION SAVE ENERGY WITH NIVISS

The nGround series was designed for the most demanding customers who seek non-standard solutions.

- CREE® LEDs inside
- 230V AC
- Made of aluminium
- Power: 30W
- IP67
- 5-year warranty

APPLICATIONS The fixture body is made of cast aluminium, which enabled a considerable weight reduction, making it much easier to install the fixture in the ground.

- gardens
- parks
- exterior walls
- squares
- plants

SPECIFICATION

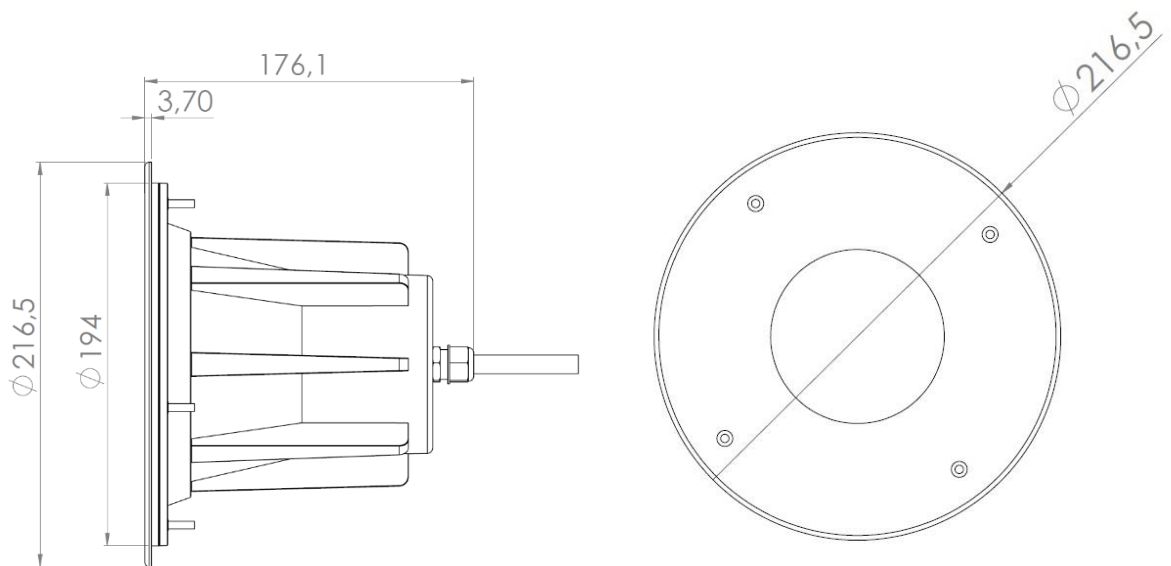
LIGHT COLOUR	CONFORT WHITE	WARM WHITE	NEUTRAL WHITE	COOL WHITE
Colour Temperature*	2700 ± 150 K	3000 ± 150 K	4000 ± 250 K	5000 ± 250 K
Effective Lumen Output**	3100 lm	3300 lm	3500 lm	3600 lm
CRI	≥ 80			
Viewing Angle [FWHM]	25°, 38°			
Input Voltage	230V AC 50Hz			
Power Consumption	30 W			
Operating Temperature.	-20°C + +55°C			
Dimensions	Ø216,5 mm			
Cable Type	H07RN-F 3G1			
Cable Length	2m			
IP Rating	IP67			
Lifetime***	≥ 55 000 h			

* Other CCTs and colours available on request.

** Source performance in real-life conditions at Ta=25°C; includes optical losses; the tolerance of source lumen output is 5%.

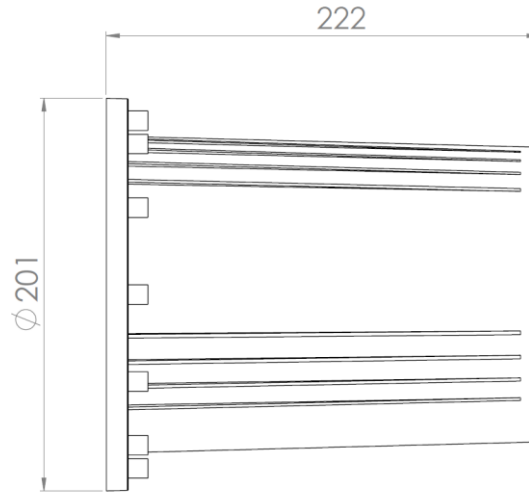
*** Approximate lifetime of LEDs declared by Cree® at Ta=25°C (for 90% of initial light output) and other electronic components

DIMENSIONS [mm]

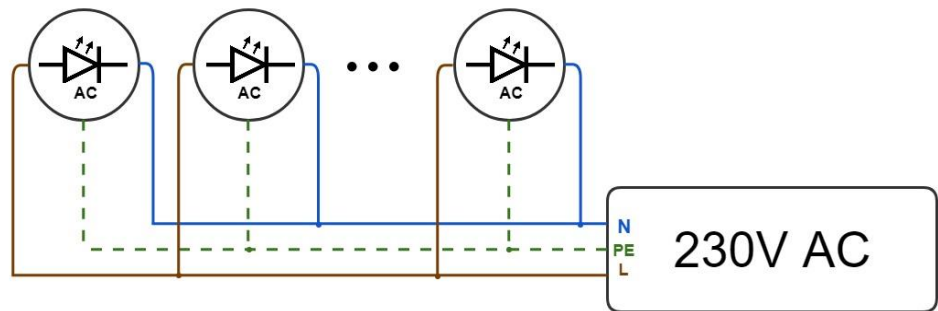


ACCESORIES

GROUND-BIG-ABS



ELECTRICAL INSTALLATION



Connecting to the power supply should be done when the power supply is off.

ORDER CODE FORMAT

FAMILY	POWER	FWHM ANGLE		FRONT PLATE	MATERIAL OF THE FRONT / BODY	SUPPLY VOLTAGE
		25 - 25 degrees	38 - 38 degrees			
nGROUND BIG	- 30	VW	- 25	RD	SA	HV
		CCT VW - 2700K WW - 3000K NW - 4000K CW - 5000K		RD - Round	SA - Steel front and aluminium body	HV - 230V AC, 50Hz

ENVIRONMENTAL CAUTION



Caution!

It is prohibited to dispose of obsolete and waste electrical and electronic equipment together with regular household wastes. They should be properly sorted and recycled. Old electrical and electronic equipment should be returned to a waste collection point established by a waste-management service. Waste electrical and electronic equipment can be broken down to base materials and then recycled. For more information regarding waste management please contact your local authorities, waste-management service or the seller of electrical and electronic devices.